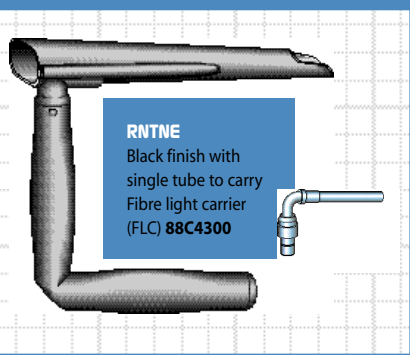


24 >>

ENT instruments  
Laryngoscopes

**BLACKENED RANGE**

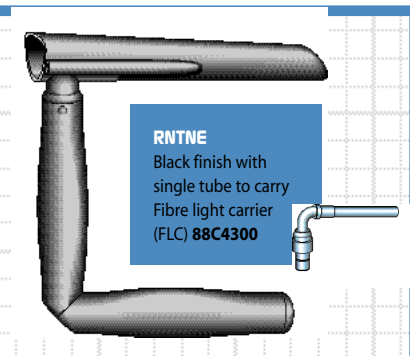


**RNTNE**  
Black finish with single tube to carry Fibre light carrier (FLC) **88C4300**

**R.N.T.N.E.**

SIZE	SIZES	CODE
small	proximal-20mm x15mm distal-15mm x11mm effective length-120mm	<b>885602</b>
med	proximal-24mm x15mm distal-15.5mm x11mm effective length-150mm	<b>885603</b>
large	proximal-28mm x19mm distal-18mm x13mm effective length-152mm	<b>885604</b>

\*PLEASE NOTE:  
**RNTNE- Royal National throat, nose & ear hospital**



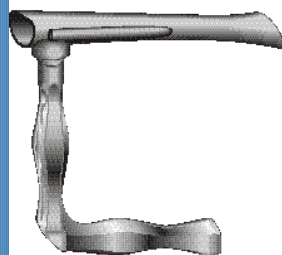
**RNTNE**  
Black finish with single tube to carry Fibre light carrier (FLC) **88C4300**

**ANTERIOR COMMISSURE (AC)**

SIZE	SIZES	CODE
small	proximal-21mm x19mm distal-15mm x14mm effective length-123mm	<b>885599</b>
med	proximal-22mm x20mm distal-15mm x14mm effective length-149mm	<b>885600</b>
large	proximal-28mm x26mm distal-18mm x15mm effective length-149mm	<b>885601</b>

\*NB: **RNTNE- Royal National throat, nose & ear hospital**

**RHYS-EVANS  
MICRO LARYNGOSCOPES**

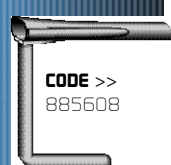


**CODE >> 885613**  
Black finish for laser surgery with twin side tubes to carry FLC (88C7500)  
proximal-20mm x15mm  
distal-14mm x13mm  
effective length-138mm

**RHYS-EVANS**  
Black finish with single tube to carry Fibre light carrier (FLC) **88C430**



**FRASER LARYNGOSCOPES**



**NEONATES & INFANTS**  
**CODE >> 885608**  
Black finish with single side tube to carry FLC (88C4300)  
proximal-22mm x20mm  
distal-15mm x14mm  
effective length-149mm



**FOR CHILDREN 2-10yrs**  
**CODE >> 885609**  
Black finish with single side tube to carry FLC (88C4300)  
proximal-20mm x14mm  
distal-13mm x12mm  
effective length-101mm

**ADULT FOR ENDENTULOUS PATIENTS**  
**CODE >> 885611**  
Black finish with single side tube to carry FLC (88C7500)  
proximal-20mm x15mm  
distal-14mm x13mm  
effective length-138mm  
**NOT SHOWN**

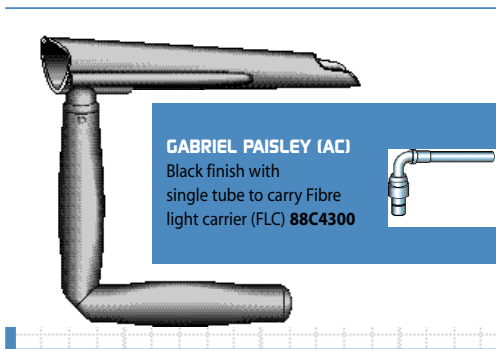
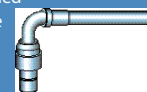


**FOR SMALL ADULTS**  
**CODE >> 885610**  
Black finish with single side tube to carry FLC (88C4300)  
proximal-20mm x15mm  
distal-14mm x13mm  
effective length-138mm



**FOR ADULTS WITH DIFFICULT TEETH**  
**CODE >> 885612**  
Black finish with single side tube to carry FLC (88C4300)  
proximal-20mm x15mm  
distal-14mm x13mm  
effective length-138mm

**FIBRE LIGHT CARRIER 88C4300**  
single FLC for use with instruments shown (British standard 7.6mm connection will be supplied unless advised otherwise)



**GABRIEL PAISLEY (AC)**  
Black finish with single tube to carry Fibre light carrier (FLC) **88C4300**

**GABRIEL PAISLEY ANTERIOR COMMISSURE**

NAME	SIZE	DESCRIPTION	FLC	SIZES	CODE
Gabriel Paisley (AC)	small	Black finish with single tube to carry FLC	88C4300	proximal-20mm x19mm distal-15mm x14mm effective length-120mm	<b>885605</b>
Gabriel Paisley (AC)	med	Black finish with single tube to carry FLC	88C4300	proximal-22mm x20mm distal-19mm x16mm effective length-150mm	<b>885606</b>
Gabriel Paisley (AC)	large	Black finish with single tube to carry FLC	88C4300	proximal-27mm x25mm distal-18mm x16mm effective length-150mm	<b>885607</b>

PLEASE NOTE: **FLC-** Fibre light carrier **AC-** Anterior commissure

+44 (0) 1258 471 770  
+44 (0) 1258 471 772

TEL: 01258 471770  
FAX: 01258 471772

Meditech Systems Limited  
Unit 3 Richmar  
Butt's Pond Ind.Estate  
Sturminster Newton  
Dorset DT10 1AZ

**meditech**  
systems limited

FOR ALL ORDERS CALL DIRECT **0700 - 4 - MEDITECH**