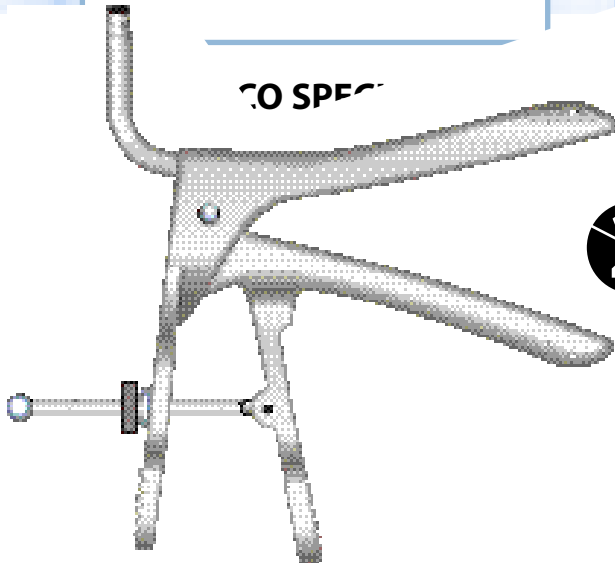


22 >>

Gynaecology instruments

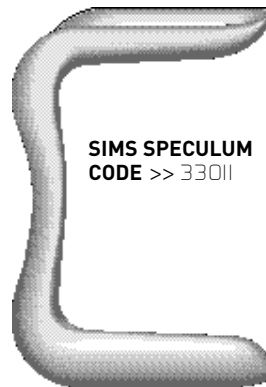
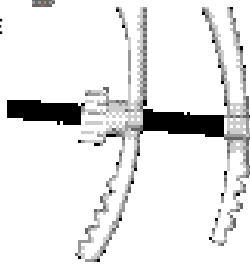


TO SPEC

**2** single use option  
please use prefix SU

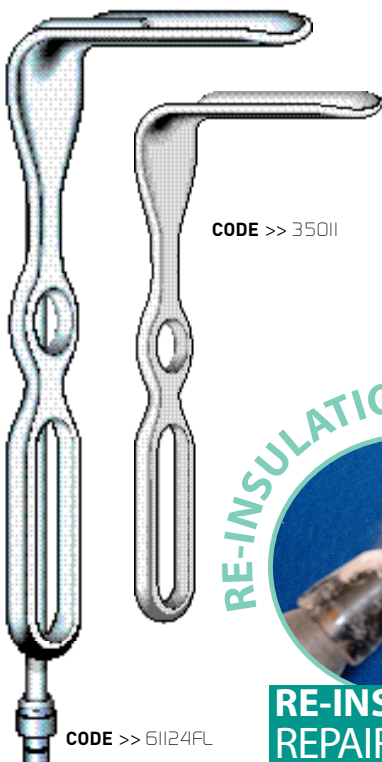
WINTERTON STYLE  
CODE >> 32016

CODE >> SU61102



SIMS SPECULUM  
CODE >> 33011

LANGDEN SPECULUM



CODE >> 35011

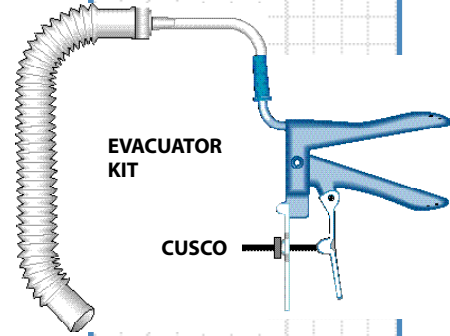
CODE >> 61124FL

RE-INSULATION REPAIR SERVICE



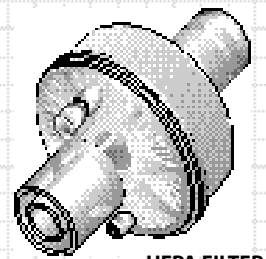
RE-INSULATION REPAIR SERVICE

SMOKE  
EVACUATION



EVACUATOR  
KIT

CUSCO



HEPA FILTER

Disposable kits for smoke  
evacuation available with  
or without HEPA filter. Also  
available portable smoke  
evacuator

SPECULUM DESIGNS

PRODUCT INSULATED NON-INSULATED SIZE

\*insulated with smoke tube

PRODUCT	INSULATED	NON-INSULATED	SIZE
<b>CUSCO</b>	32010*	61100	SMALL
	32011*	61102	MEDIUM
	32012*	61104	LARGE
	32013*	61103	MED LONG
	32016*	61106	X LARGE
<b>SIMS</b>	33010	61140	SMALL
	33011	61142	MEDIUM
	33012	61144	LARGE
<b>GRAVES</b>	34010	61120	SMALL
	34011	61122	MEDIUM
	34012	61124	LARGE
<b>LANGDEN</b>	35010	61120	SMALL
	35011	61122	MEDIUM
	35012	61124	LARGE
<b>CUSCO</b>	SU32010		SMALL
	SU32011		MEDIUM
	SU32012		LARGE

+44 (0) 1258 471 770  
+44 (0) 1258 471 772

TEL  
FAX

Meditech Systems Limited  
Unit 3 Richmar  
Butt's Pond Ind.Estate  
Sturminster Newton  
Dorset DT10 1AZ

meditech  
systems limited

FOR ALL ORDERS CALL DIRECT 0700 - 4 - MEDITECH